

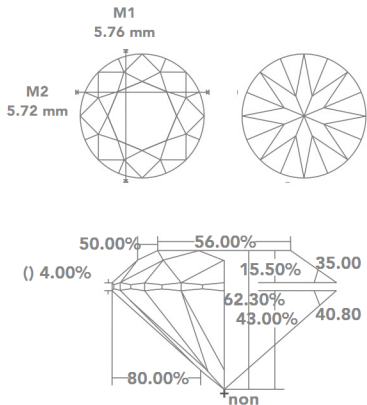
Round Impression



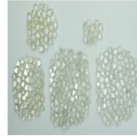
Your Grading Report Number
QSBWD017

Summary

Girdle Inscription Number : GIA 3275376116
Shape : ROUND
Measurements : 5.76 x 5.72 x 3.58 mm
Carat : 0.73 ct
Color : G
Clarity : VS1
Cut : EX
Polish : EX
Symmetry : EX
Fluorescence : NONE



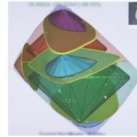
THE ARTISANS OF THE DIAMOND TIME-LAPSE



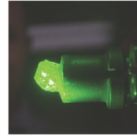
Origin
MIXED
1.66 Carats



Chosen By
BHADRESH PATEL
1.66 Carats | G Color



Architected By
NIRAV GADHIYA
1.66 Carats | ROUND | H | VS1



Lasercut By
BHAGIRATH PATEL
1.29 Carats | ROUND | G | VS2



Crafted By
BHARAT SANTOKI
1.02 Carats | ROUND | G | VS2+ | 3EX



Groomed By
HIREN PANCHAL
0.73 Carats | ROUND | G | VS2 | 3EX



Certified by
GIA
0.73 Carats | ROUND | G | VS1 | EX-EX-EX |
3275376116



REPORT NO.
QSBWD017

Diamond Time-Lapse REPORT
BEAUTIFUL JEWELERS

Experience the amplified information of this report on www.mydtl.io

Mixed Origin denotes the rough diamonds have been responsibly mined and comes from a legitimate source based on the Kimberly Process Certificate.